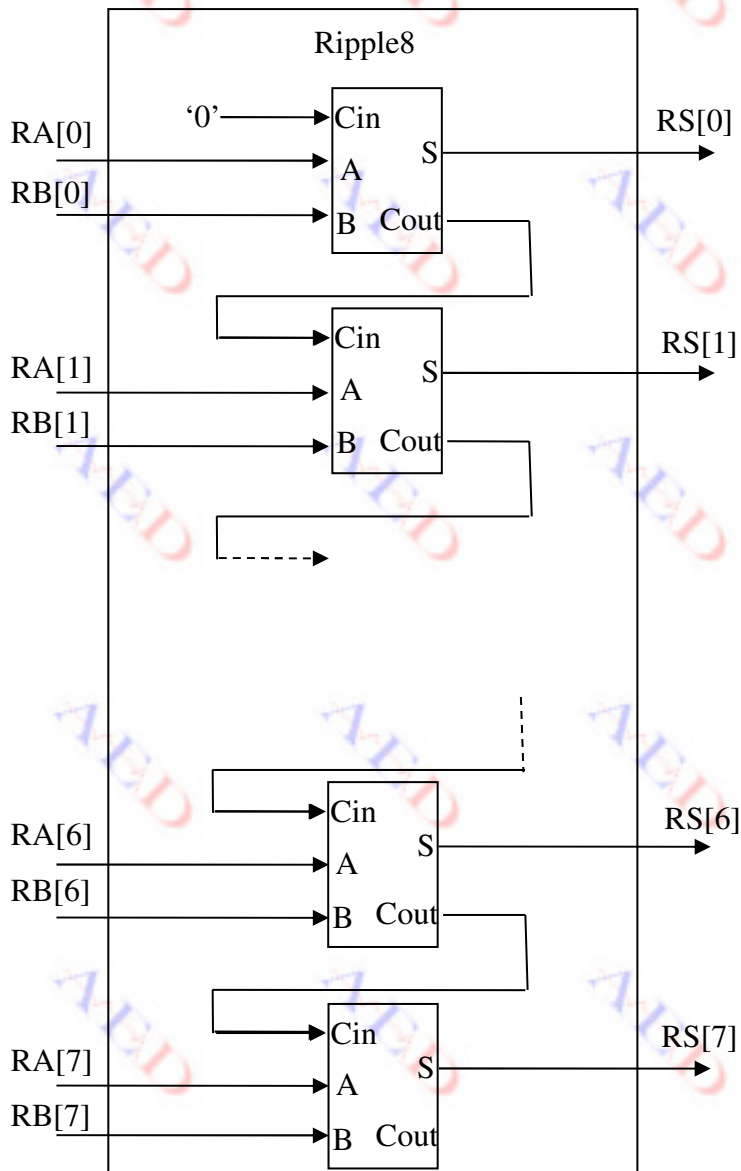


## VHDL Architecture Structural example

We are going to use structural description to use the model testFA created in the part8.



1. Describe this architecture (named ripple8) by using VHDL structural description (refer to course : "VHDL Structural Description")
2. Simulate and validate your design
3. Does your design fit in the FPGA? What is the free space remaining?
4. What is the shortest path of your design (the faster one)? What is the critical path of your design (the slower one) ?